



the valve specialists

# Carbon Steel Firesafe Techseal Gas Ball Valve

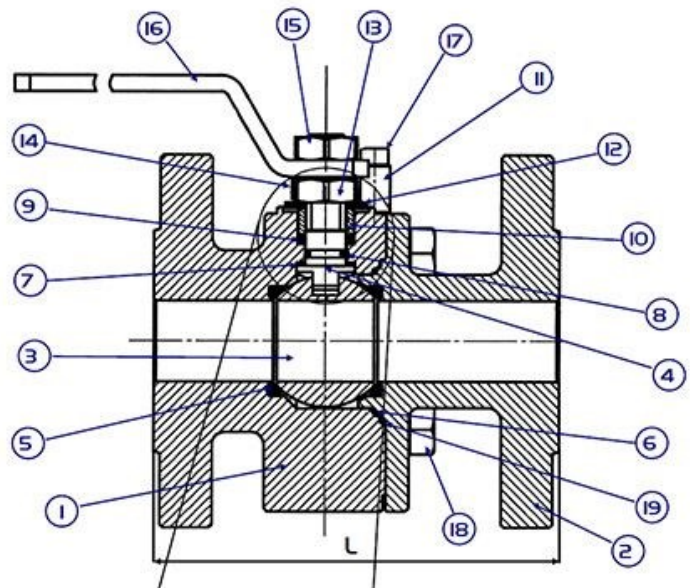


### Description

- Split Body
- Raised face
- Full bore
- Temp -20 to 180° C
- Antistatic device
- Firesafe

Size	1/2"	3/4"	1"	1.1/2"	2"	2.1/2"	3"	4"	5"	6"	8"
PN Rating	40	40	40	40	40	16	40	16	16	16	16
L- F2F (mm)	115	120	125	140	150	170	180	190	325	350	400

No.	Description	Material
1	Body	Carbon Steel
2	Flange	Carbon steel
3	Ball	AISI 304
4	Stem	AISI 304
5	Seat	PTFE
6	Side sealing ring	PTFE
7	Upper sealing ring	PTFE
8	Stem O-ring	Viton
9	Upper sealing couple	PTFE
10	Gland Washer	AISI 304
11	Stop	AISI 304
12	Belleville washers	50CRV4
13	Stem retaining nut	AISI 304
14	Fixing nut plate	AISI 304
15	Locking nut	AISI 304
16	Lever	Carbon steel
17	Stop Screw	Carbon steel
18	Flange locking screw	Carbon steel
19	External side sealing ring	Pure Graphite



### Key Features

- Locking facility
- Actuation available
- Special gaskets
- Degreased
- Painting
- Mounting kits

Orseal Ltd, Lynstock Way, Lostock, Bolton, BL6 4QR

T: +44 (0)1204474300 / F: +44 (0)1204474347

E: sales@orseal.com

W: www.orseal.com